

***PARTS LISTS***

**NATIONAL DELUXE 68"  
TRIPLEX**

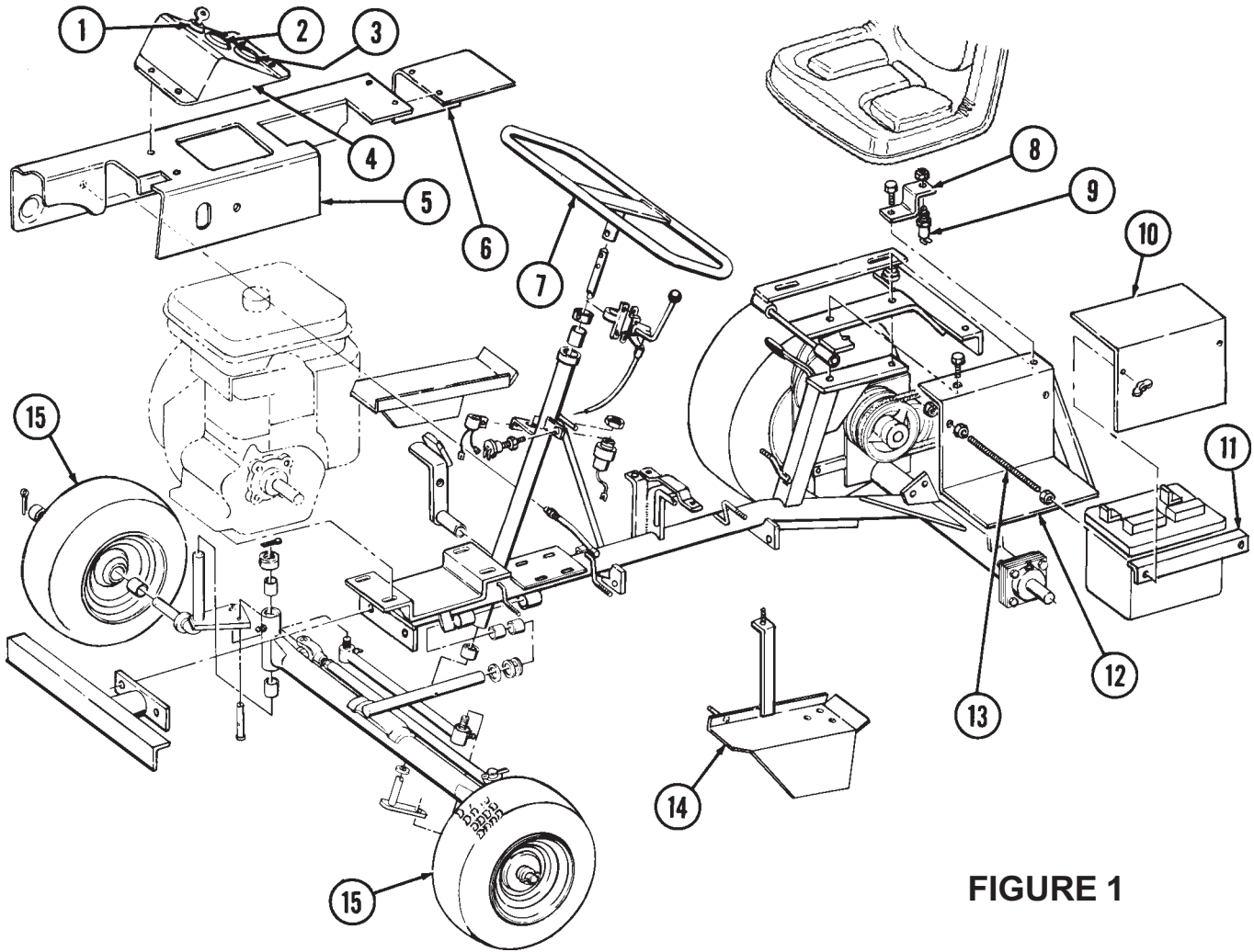


**NATIONAL<sup>®</sup> MOWER COMPANY**

**SINCE 1919**

700 Raymond Avenue  
P.O. Box 14299  
St. Paul, Minnesota 55114-0299  
Phone (651) 646-4079  
Fax (651) 646-2887

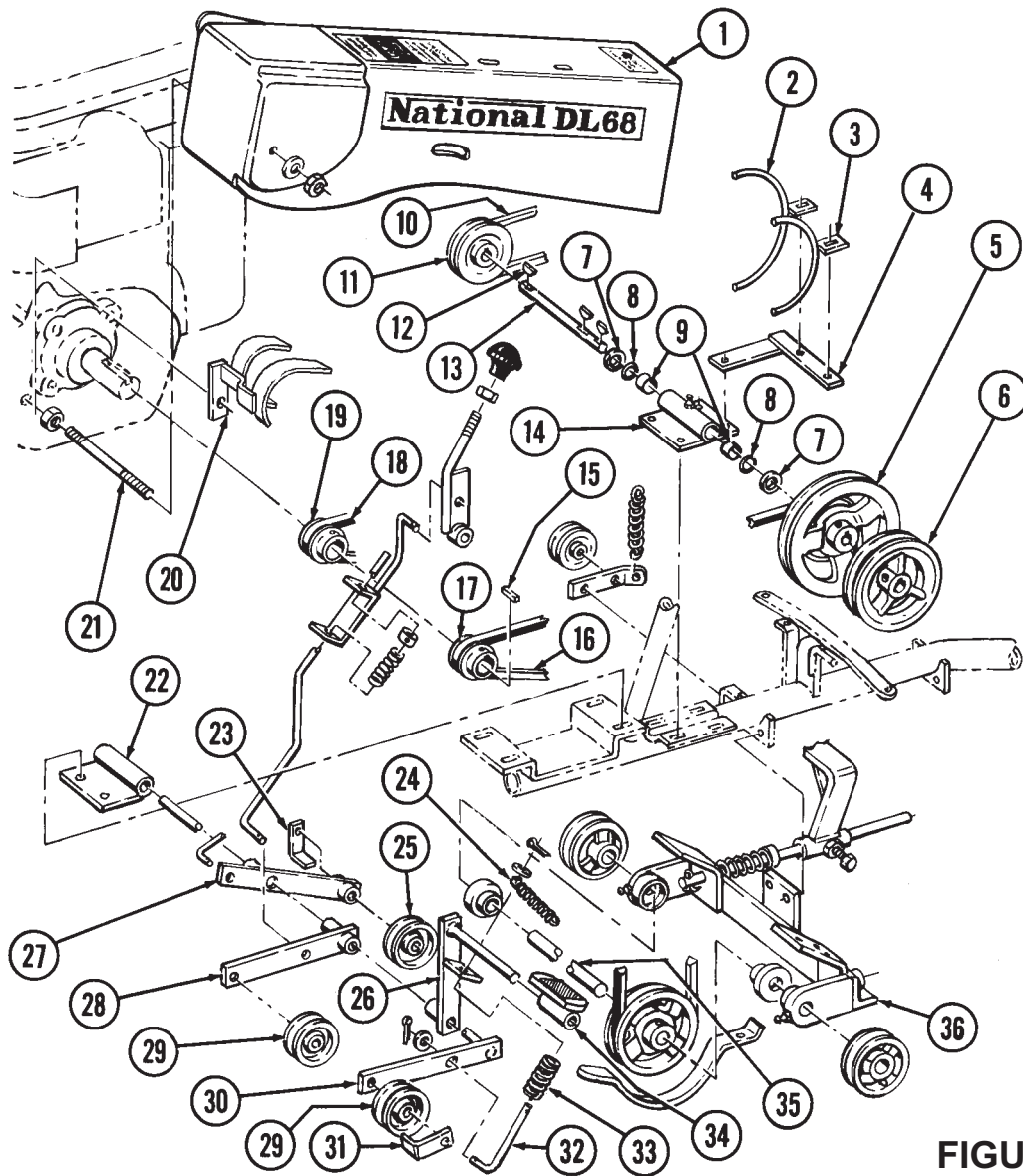
JANUARY-1999



**FIGURE 1**

**FIGURE 1 — DELUXE PARTS**

Item	Part No.	Description	Qty.
1	07065	KEY SWITCH	1
2	07064	AMPMETER	1
3	07063	HOURMETER	1
4	09098	DASHBOARD	1
5	09099	GUARD, Main Belt	1
6	201994	EXTENSION, Main Belt Shield	1
7	201996	STEERING WHEEL, DL68	1
8	201878	BRACKET, Seat Switch	1
9	07090	SAFETY SWITCH, Seat	1
10	09101	COVER, Battery	1
11	201754	HOLDOWN, Battery	1
12	201582	BATTERY BOX	1
13	08057	ROD, Side Post Battery	2
14	201925	FOOT REST, Left	1
15	07237	TIRE, Deluxe Wide	2



**FIGURE 2**

**FIGURE 2 — Deluxe Drive Parts**

Item	Part No.	Description	Qty.
1	201999	GUARD, Engine Clutch	1
2	201881	RETAINER, Mowing Belt	1
3	201884	RETAINER, Transport Belt	1
4	201890	MOUNT, Belt Guides	1
5	201872	STEP PULLEY, Main Countershaft	1
6	03603	PULLEY, Transport, Main Countershaft	1
7	02507	Washer, 10 GA.	2
8	03502	O-RING, 7/8" Dia.	2
9	06101	NEEDLE BEARING	2
10	03902	BELT, Drive, B66	1
11	03655	PULLEY, Main Countershaft	1
12	04013	KEY, Woodruff, #11	3
13	201871	COUNTERSHAFT, Main	1
14	201740	HOUSING, Main Countershaft	1
15	200208	KEY, Square, Engine	2
16	03926	BELT, Engine, Transport, 6841 Gates Power Rated	1

